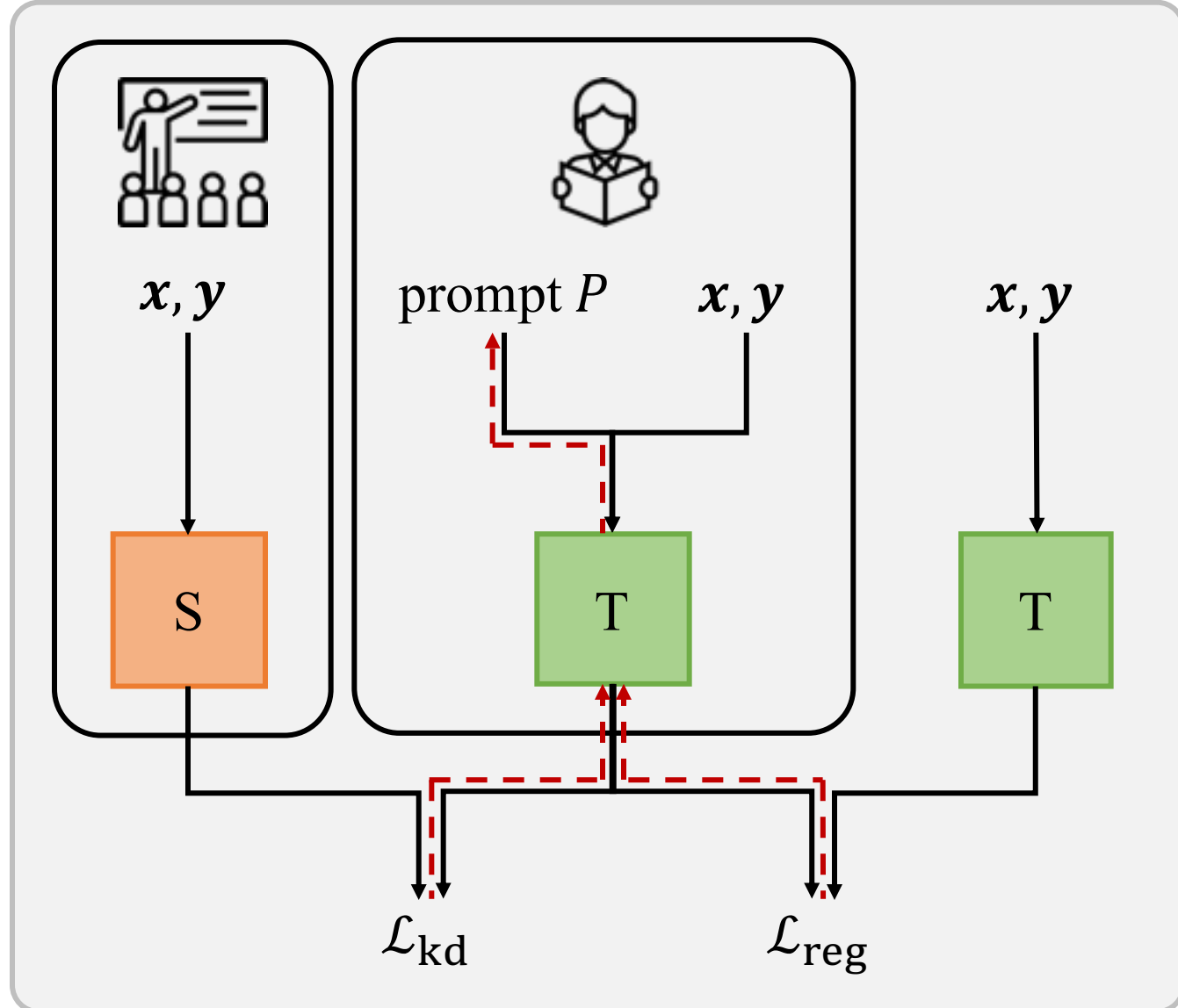
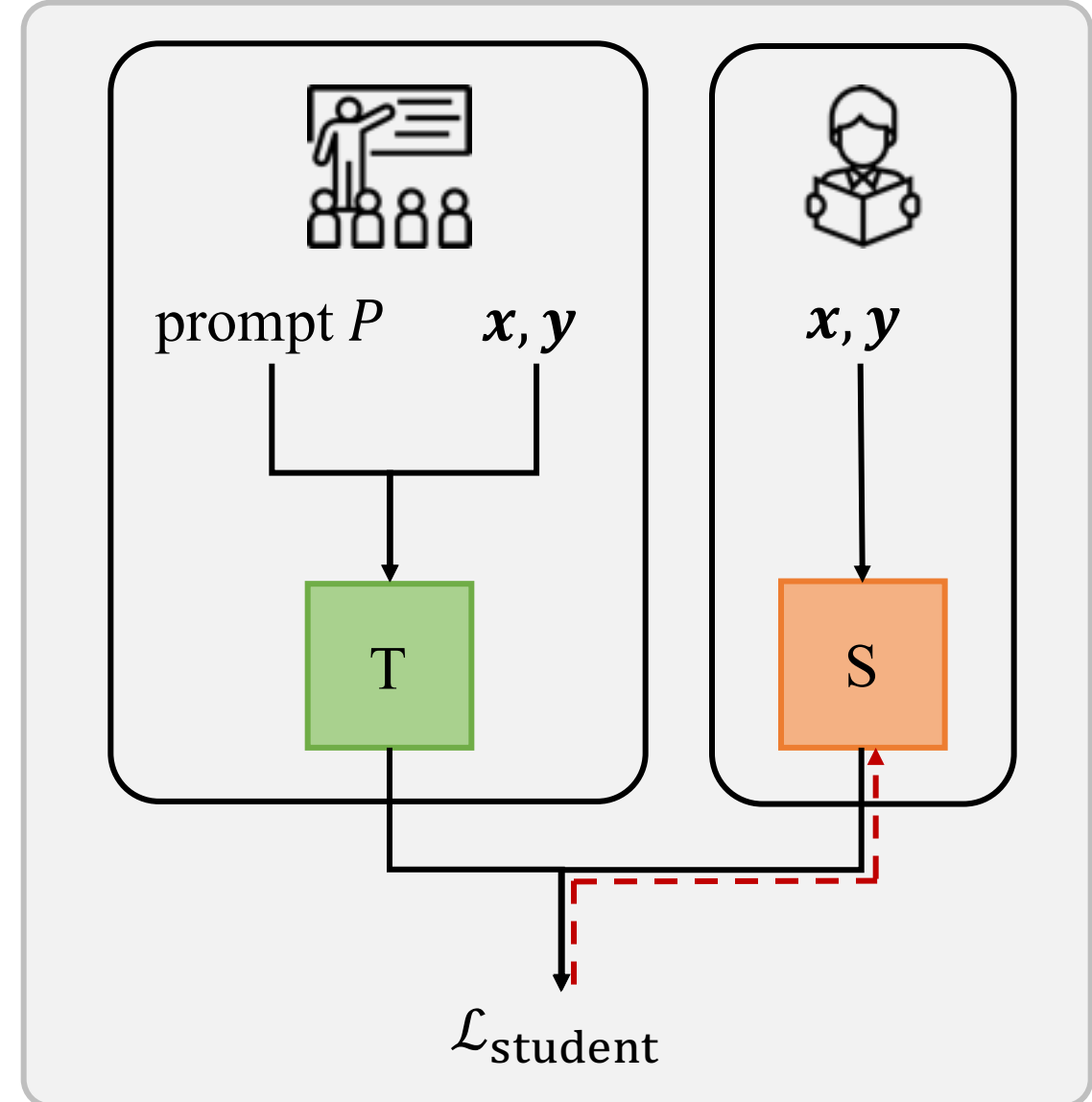


1. Pseudo-Target Generation



2. Prompt Tuning for Adaptive Teaching



3. Student-Friendly Knowledge Distillation